

Gas Restaurant Range

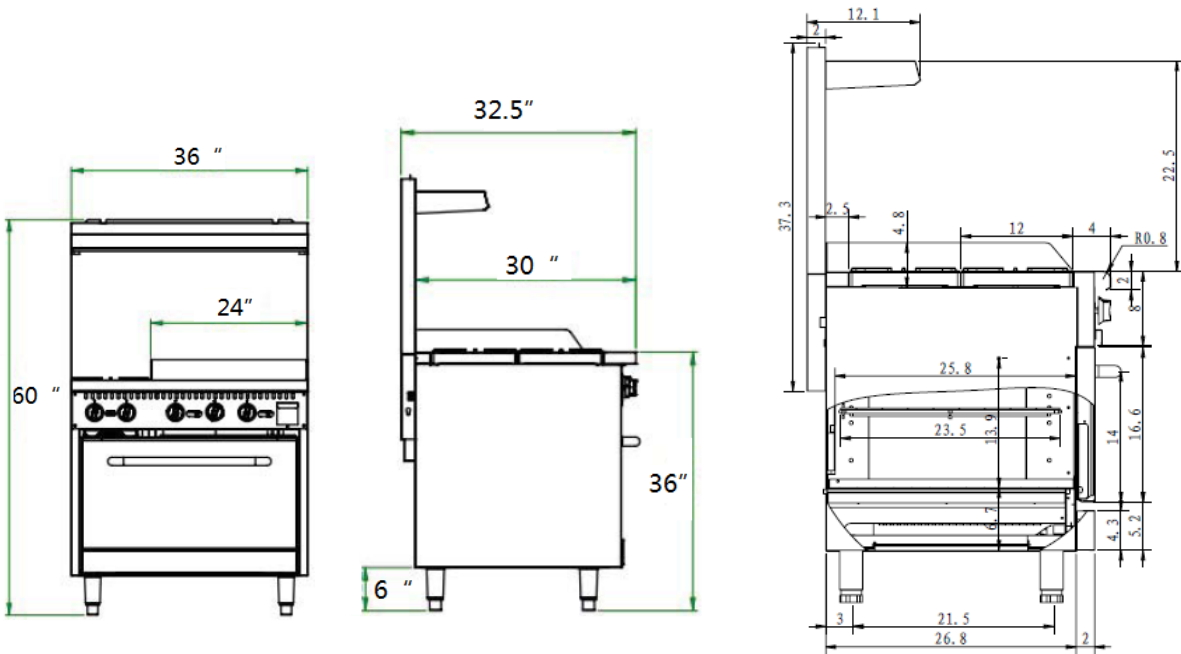
RA36-G24 Gas 2 burners with 24" griddle & oven



Model: RA36-G24

STANDARD FEATURES

- Stainless steel front, galvanized sides
- Cast iron open burner, each 30,000 BTU/hr
- Thermostat (250° F- 550° F) controlled oven
- Welded frame structure for best stability
- 24" griddle plate (3/4" thickness) with splash guard
- Adjustable heavy duty legs
- 12" x12" (30x30cm) cast iron grate
- Anti-clogging pilot cover under the grate
- A pull-out crumb tray with angled handle in the front
- U shape oven burner with 31,000 BTU/hr
- Thermal coupling safety valve for the oven
- Stainless steel oven door with good insulation
- Stainless steel handle for bottom oven
- Kick plate at the bottom, easy access for servicing
- 3/4" NPT rear gas connection



Model	Description	Total BTU/HR	Packing Size(IN)	N/W (LB)	G/W (LB)
RA36-G24	Gas range with 24" griddle& oven	131,000	41x40x52	403	507